

INSTRUCTIONS FOR INSTALLING A PRICE BOARD COVER KIT ON A NATIONAL VENDORS[®],
CROWN SEVENTY TWO[®] SHOWCASE 141, 142, 143 OR 144 MERCHANDISER

CHECK THE PARTS RECEIVED IN THE KIT WITH THE PARTS LIST IN THESE INSTRUCTIONS. IF ANY PARTS ARE MISSING, CONTACT NATIONAL VENDORS' PARTS DEPARTMENT IMMEDIATELY.

These instructions cover the procedure for installing a Price Board Cover Kit on a Showcase 141, 142, 143, or 144 Merchandiser.

Read these instructions carefully and thoroughly before installing the Kit. Retain these instructions for part number and installation information.

Price Board Cover Kit, part number 143-1063, contains the following parts:

Part Number	Description	Quantity
143-1058	Price Board Cover Assembly	1
613-2133	Control Box Stud	1
141-2046	No.8-32 Black Self-Locking Nut	1
143-1062	Installation Instructions	1
	* * *	

TO INSTALL THE KIT

A. PARTS REMOVAL

1. Disconnect the Merchandiser Service Cord from the wall receptacle.
2. Unlock and open the Cabinet Door.
3. Remove two Screws attaching the Control Box to the underside of the Cabinet Center Pan. See Figure 1.
4. Slide the Control Box toward the rear of the Cabinet and then lower the Control Box. See Figure 1.
5. Remove one attaching Nut and the Control Box Stud from the front of the Control Box. See Figure 1.

B. INSTALLATION OF THE KIT

1. Install the replacement Control Box Stud, part number 613-2133, on the Control Box, attaching with the Nut, part number 141-2046. See Figure 2. Both parts are included in the Kit.

2. Reverse Steps A-4 and A-3 to install the Control Box in the Merchandiser.
3. Clip the Price Board Cover Assembly included in the Kit, part number 143-1058, on the Torsion Bar located in front of the Control Box, positioning the Cover Assembly so that all Price Setting Switches are shielded. See Figure 3.
4. Close and lock the Cabinet Door.
5. Connect the Merchandiser Service Cord to the wall receptacle.

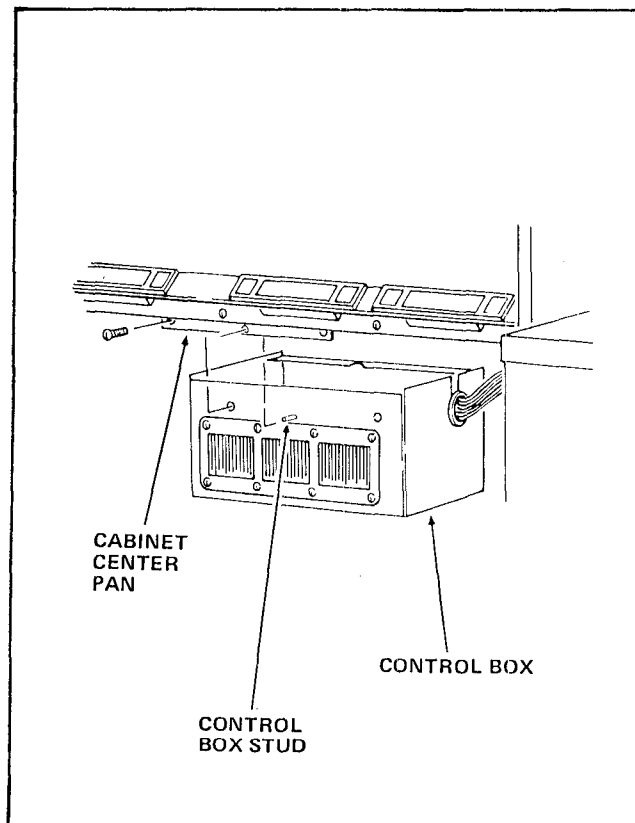


FIGURE 1

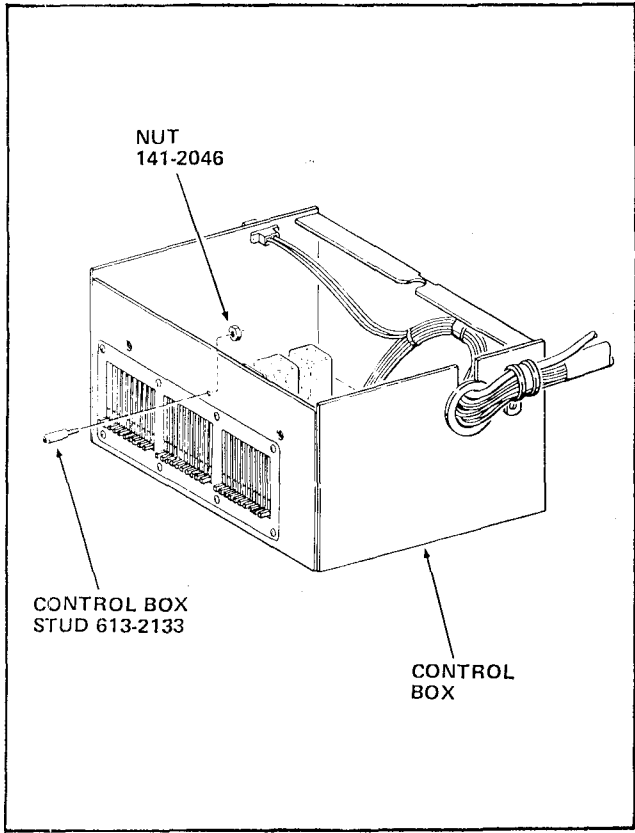


FIGURE 2

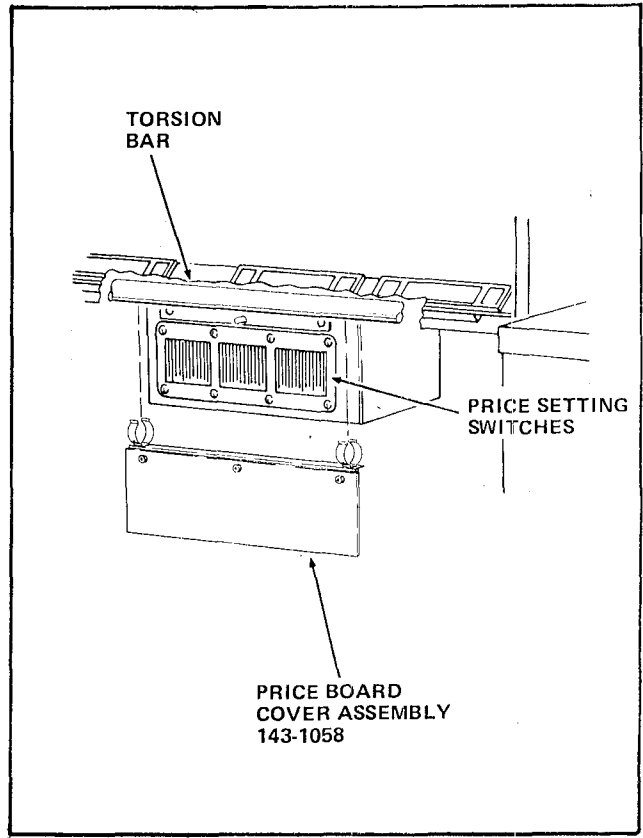


FIGURE 3